

SANTO 4085-8 KG



Electronic Refrigerator/Freezer

Operating Instructions

Dear customer,

Before placing your new refrigerator into operation please read these operating instructions carefully. They contain important information for safe use, for installation and for care of the appliance.

Please keep these operating instructions for future reference. Pass them on to possible new owners of the appliance.



Notes which are important for your safety or for the proper functioning of the appliance are stressed with a warning triangle and/or with signal words (**Warning!**, **Caution!**, **Important!**). Please observe the following carefully.



1. This symbol and numbered instructions guide you step by step in the operation of the appliance.
2.



Supplementary information regarding operation and practical uses of the appliance appear after this symbol.



Tips and notes concerning economical and environmentally sound use of the appliance are marked with the cloverleaf.

Explanations of the technical terminology used in the operating instructions can be found at the end in the section "Technical Terminology".

The operating instructions contain instructions for the correction of possible malfunctions by the user in the section "Something not working". If these instructions should not be sufficient, please contact your local AEG Service Force Centre.

If you require assistance or advice on your appliance, please contact our Customer Care Department by letter or telephone or visit our website at www.aeghome.co.uk.

Customer Care Department
AEG Domestic Appliances
55-77 High Street
Slough
Berkshire SL 1 1DZ

Tel: 08705 350350

Printed on paper manufactured with environmentally sound processes.
he who thinks ecologically acts accordingly ...

Contents

Important Safety Instructions	5
Environmental Information	7
Packaging	7
Old Appliances	7
Appliance Transport	8
Before Use	8
Packaging	8
Fitting the Door Handles	10
Installation	10
Installation Location	10
The refrigerator/freezer needs air	11
Appliance Alignment	11
Electrical Connection	12
Reversing The Door	13
Appliance Description	17
View of Appliance	17
Freezer tray with "Cold Accumulation Block"	18
Control Panel	19
Temperature setting buttons	20
Temperature Displays	20
Prior to Initial Start-Up	21
Initial Start-Up	22
Temperature Adjustment	23
COOLMATIC/FROSTMATIC	24
COOLMATIC	24
FROSTMATIC	24
Switching the Appliance Off	25
Holiday Mode	26

Control and Information Systems	27
"Open Door"-Warning	27
Temperature Warning	27
Function Errors	28
Opening the Freezer Compartment Door	28
Interior Accessories	29
Storage Shelves	29
Bottle rack	29
Variable Inner Door	30
Drawers and Compartments	30
Bottle Holder	30
Correct storage	31
Freezing	32
Frozen Storage	33
Preparation of Ice Cubes	33
Defrosting	34
The refrigerator is defrosted automatically	34
Freezer Compartment Defrosting	34
Hints and Tips	36
Normal Operating Sounds	36
Food Storage	36
Energy Saving Advice	36
Maintenance and Cleaning	37
Internal Cleaning	37
External Cleaning	38
Replace light bulb	38
Something not Working	39
Technical Terminology	40
Regulations, Standards, Guidelines	41
Guarantee Conditions	41
European Guarantee	42
Service & Spare Parts	43



Important Safety Instructions

These warnings are provided in the interests of your safety. Ensure that you understand them all before installing or using this appliance. Your safety is of paramount importance. If you are unsure about any of the meanings of these warnings contact the Customer Care Department.

Prior to Installation

- Check the refrigerator/freezer for transport damage. Under no circumstances should a damaged appliance be installed! In the event of damage, please contact your retailer.

Installation

- This appliance is heavy. Care should be taken when moving it.
- It is dangerous to alter the specifications or attempt to modify this product in any way.
- Ensure that the appliance does not stand on the electrical supply cable. If the supply cable is damaged, it must be replaced by a cable available from your local Service Force Centre.
- Any electrical work required to install this appliance should be carried out by a qualified electrician or competent person.
- Parts which heat up should not be exposed. Whenever possible, the back of the appliance should be close to a wall, but leaving the required distance for ventilation, as stated in the installation instructions.
- The appliance should be left for 2 hours after installation before it is turned on, in order to allow the refrigerant to settle.

Refrigerant

The refrigerant isobutane (R600a) is contained within the refrigerant circuit of the appliance, a natural gas with a high level of environmental compatibility, which is nevertheless flammable.

- During transportation and installation of the appliance, be certain that none of the components of the refrigerant circuit become damaged.
- If the refrigerant circuit should become damaged:
 - avoid open flames and sources of ignition;
 - thoroughly ventilate the room in which the appliance is situated.

Child Safety

- Do not allow children to tamper with the controls or play with the product.
- Keep packaging material away from children! (There is a risk of suffocation!)

During Use

- This appliance is designed for domestic use only, specifically for the storage of edible foodstuffs only. It is not intended for commercial or industrial use
- Containers with flammable gases or liquids can leak at low temperatures. Do not store any containers with flammable materials such as, spray cans, fire extinguisher refill cartridges etc in the freezer.
- Frozen food should not be refrozen once it has thawed out.
- Do not place carbonated or fizzy drinks in the freezer.
- Ice lollies can cause 'frost/freezer burns' if consumed straight from the freezer compartment.
- Do not remove items from the freezer compartment if your hands are damp/wet, as this could cause skin abrasions or frost/freezer burns.
- Bottles and cans must not be placed in the freezer. They can burst when the contents freeze.
- Manufacturers' recommended storage times should be adhered to. Refer to relevant instructions.

Maintenance and Cleaning

- Before cleaning, always switch off the appliance and disconnect from the electrical supply.
- When unplugging always pull the plug from the mains socket, do not pull on the cable.

Servicing

- This product should be serviced by an authorised engineer and only genuine spare parts should be used.
- Under no circumstances should you attempt to repair the appliance yourself. Repairs carried out by inexperienced persons may cause injury or serious malfunctioning.
Contact your local AEG Service Force Centre.

Environmental Information

Packaging

All transit packaging materials are environmentally compatible and can be reused. Wood is un-treated. The plastics can be recycled and are identified as follows:

>PE< for polyethylene, e.g. the outer covering and the bags in the interior.

>PS< for polystyrene foam, e.g. the pads, which are pure hydrocarbon compounds and can be recycled.

The carton parts are made from recycled paper. Please dispose of the packaging with due care for the environment.

Old Appliances

When disposing of your old appliance:

Make the appliance unusable by cutting off the cable and remove any door catches to ensure small children cannot be trapped inside.

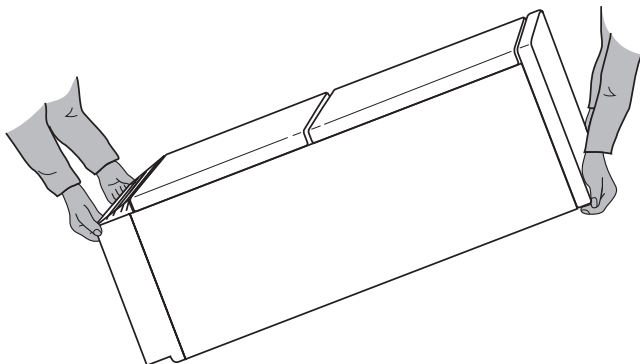
Help to keep your country tidy - use an authorised disposal site.

Information concerning collection schedules or locations can be obtained from your local Council or Environmental Health Office

Appliance Transport

Two people are required for transport of the appliance. There are two recessed handles at the front of the base and at the back of the appliance at the top for improved gripping.

1. Grip the appliance with the recessed handles positioned as in the drawing, and transport the appliance.



2. In order to push the appliance into its final position, press carefully at the top of the door and tip the appliance back slightly. The weight is thus transferred to the back wheels and the appliance can be easily pushed.

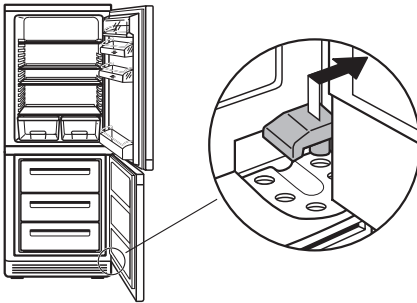
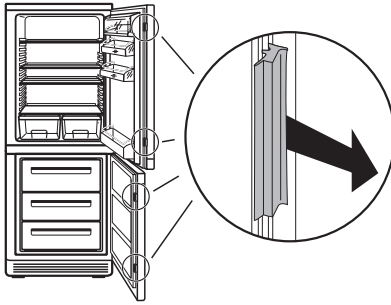
Before Use

Packaging

1. Remove all adhesive tape and packaging from the interior of the appliance.

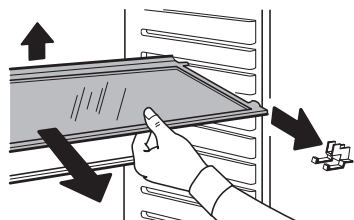
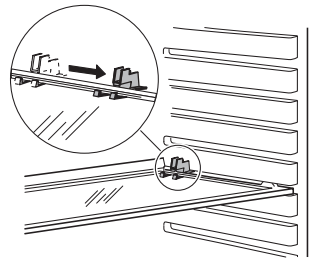
i Any remnants of adhesive can be removed with white spirit.

2. Remove the transport protection pieces and pull off the adhesive tape.



3. Wash the inside of the appliance with lukewarm water with a little bicarbonate of soda added (5 ml to 0.5 litre of water). Do not use soap or detergent as the smell may linger. Dry the appliance thoroughly. Remove the transport fittings from the storage shelves:


4. Slide the fittings securing the shelf forward to the thicker section on the edge of the storage shelf.
5. Slide the storage shelf far enough forward so that it can be hinged downwards and the fittings can be removed from the guides.

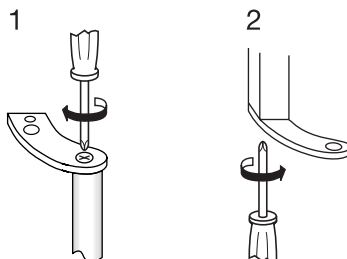


Fitting the Door Handles

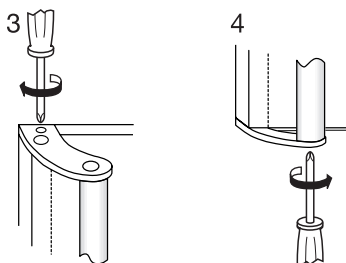


Caution! Do not overtighten the screws (max. 2 Nm) as you may damage the door handles.

-  1. Screw the top handle bracket to the handle rod (1). Fit the bottom handle bracket on the lower left-hand side of the door (2).



2. Fit the top handle bracket on the top left-hand side of the door (3) and screw the handle rod to the bottom handle bracket (4).



Installation

Installation Location

The appliance should be installed in a well ventilated, dry room.

Energy use and efficient performance of the appliance is affected by the ambient temperature.

The appliance should therefore

- not be exposed to direct sunlight;
- not be installed next to radiators, cookers or other sources of heat;
- only be installed at a location whose ambient temperature corresponds to the climate classification, for which the appliance is designed.

The climate classification can be found on the rating plate, which is located at the left on the inside of the appliance.

The following table shows which ambient temperature is correct for each climate classification:

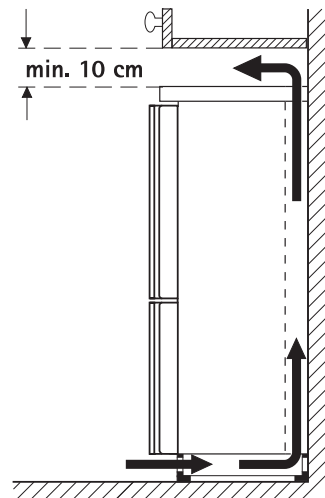
Climate classification	for an ambient temperature of
SN	+10 to +32 °C
N	+16 to +32 °C
ST	+18 to +38 °C
T	+18 to +43 °C

The refrigerator/freezer needs air

Air is fed under the door through the vent slots in the base and is exhausted upwards along the back wall. To ensure proper air circulation never cover or alter the vent openings.

Important! If the appliance is installed under a hanging cabinet, a clearance of at least 10 cm between the top of the appliance and the cabinet above it must be maintained.

Please check whether, after installing your appliance and especially after reversing the door, the door seal seals tightly. A badly fitting door seal may lead to heavy frosting and a higher power consumption (see also "Something not working").



Appliance Alignment

1. The appliance must be level. Please compensate for unevenness in the floor by turning the two adjustable feet at the front.

Electrical Connection

Any electrical work required to install this appliance should be carried out by a qualified electrician or competent person.



WARNING – THIS APPLIANCE MUST BE EARTHED

The manufacturer declines any liability should these safety measures not be observed.

Before switching on, make sure the electricity supply voltage is the same as that indicated on the appliance rating plate. The rating plate is inside, on the left.

The appliance is supplied with a 13 amp plug fitted. In the event of having to change the fuse in the plug supplied, a 13 amp ASTA approved (BS 1362) fuse must be used.

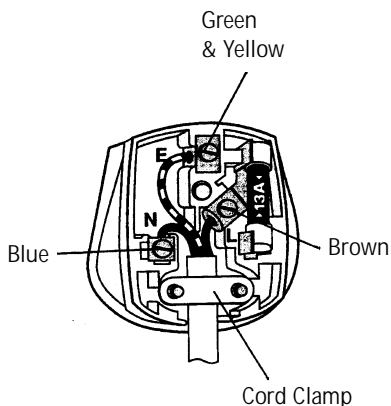
Important

The wires in the mains lead are coloured in accordance with the following code:

Green and Yellow	Earth
Blue	Neutral
Brown	Live

As the colours of the wires in the mains lead of this appliance may not correspond with the coloured markings indentifying the terminals in your plug, proceed as follows:

1. The wire coloured green and yellow must be connected to the terminal marked with the letter "E" or by the earth symbol \oplus or coloured green and yellow.
2. The wire coloured blue must be connected to the terminal "N" or coloured black.
3. The wire coloured brown must be connected to the terminal marked "L" or coloured red.
4. Upon completion there must be not cut, or stray strands of wire present and the cord clamp must be secure over the outer sheat.



Warning! A cut-off plug inserted into a 13 amp socket is a serious safety (shock) hazard. Ensure that the cut-off plug is disposed of safely.

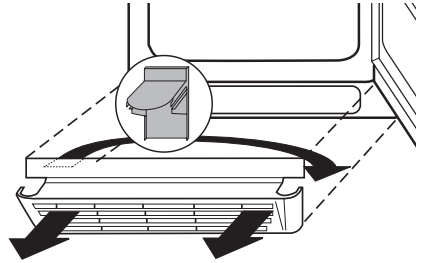
Reversing The Door

The door hinges can be changed from right (as supplied) to left if required to suit the location where the appliance is installed.

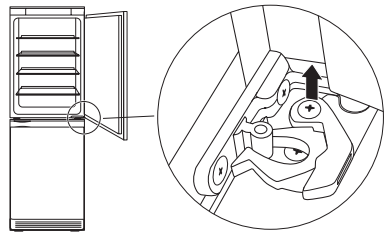


Warning! Unplug from the mains, before reversing the door.

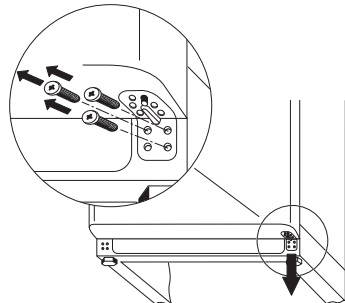
1. Open the freezer compartment door and remove the plinth to the front. Move the door bearing cover on the plinth from the left to the right.



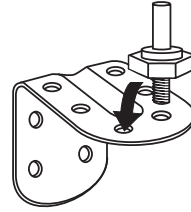
2. Close the freezer compartment door. Open the fridge compartment door and unscrew the retaining screw for the self-closing mechanism on the top of the freezer compartment door.



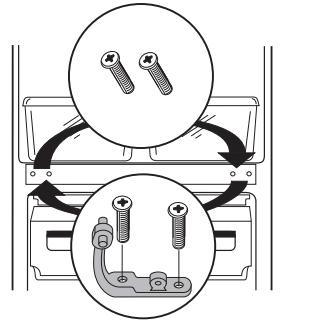
3. With the freezer compartment door closed, remove the cross-head screws from the lower door bearing and remove the door bearing downwards.



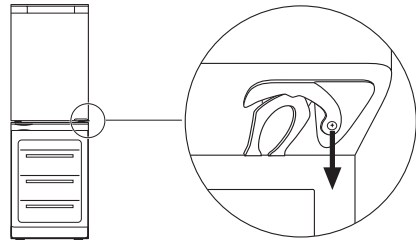
- 4. Move the bearing pivot from the right to the left hand hole. Remove the freezer compartment door carefully to the front and place on one side.



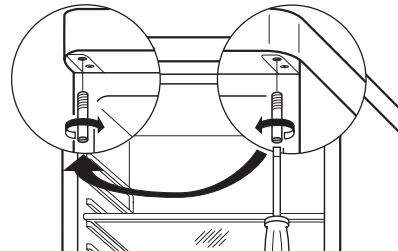
- 5. Unscrew the centre door bearing.
- 6. Remove the fridge compartment door carefully to the front and place on one side.



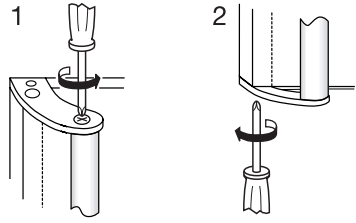
- 7. Unscrew the retaining screw for the self-closing mechanism on the bottom of the fridge compartment door.



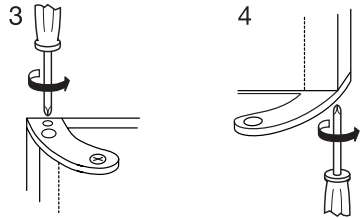
- 8. Move the upper bearing pivot to the left.



9. Unscrew the top handle bracket from the handle rod (1). Unscrew the bottom handle bracket from the door (2).

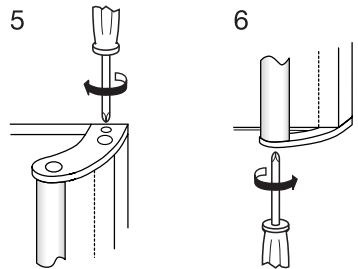


10. Unscrew the top handle bracket from the door (3) and screw onto the bottom right-hand side of the door (4).



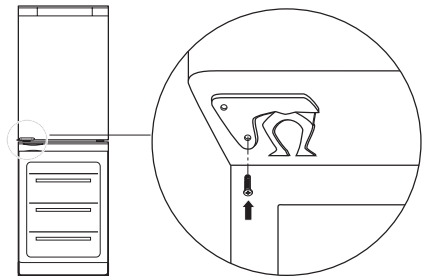
Caution! Do not overtighten the screws (max. 2 Nm) as you may damage the door handles.

11. Turn the handle bracket with the handle rod 180° and screw them to the door (5) and the fitted handle bracket (6).

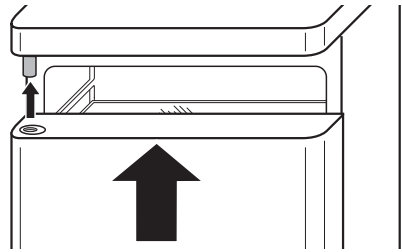


Caution! Do not overtighten the screws (max. 2 Nm) as you may damage the door handles.

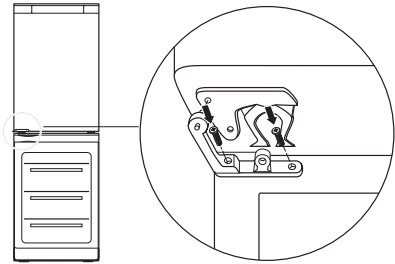
12. Fasten the self-closing mechanism to the bottom left of the fridge compartment door.



13. Carefully slide the fridge compartment door onto the top bearing pivot and close.

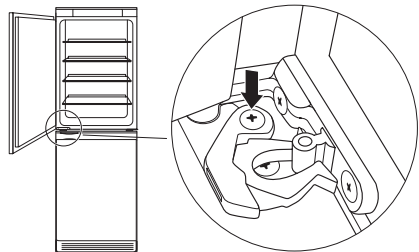


14. Slide the centre door bearing into the bottom left of the fridge compartment door and fasten to the housing.

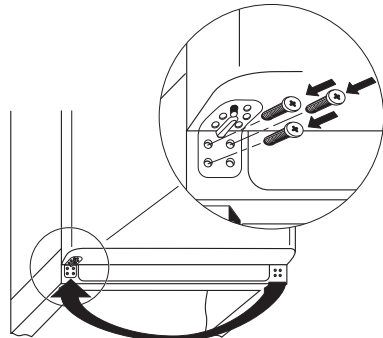


15. Fasten the self-closing mechanism on the top left of the freezer compartment door,

16. Carefully slide the freezer compartment door onto the centre bearing pivot and close.



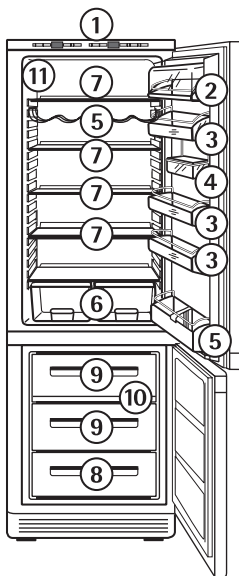
17. Place the lower door bearing with the bearing pivot in the lower left of the freezer compartment door and fasten.



18. Open the freezer compartment door and fit the plinth.

Appliance Description

View of Appliance

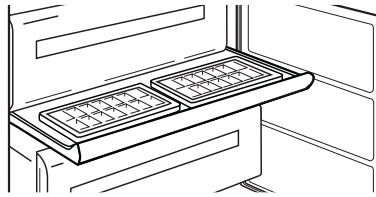


- ① Control panel
- ② Butter and cheese compartment with lid
- ③ Door storage compartments
- ④ Variable storage box
- ⑤ Bottle compartment/bottle rack
- ⑥ Fruit and vegetable drawers
- ⑦ Shelves
- ⑧ Freezer drawer (only for storage)
When defrosting the bottom drawer also serves as a water collecting vessel.
- ⑨ Freezer drawer (for storage and freezing)
- ⑩ Freezer tray
- ⑪ Rating plate (depending on model upper or lower left)

Freezer tray with "Cold Accumulation Block"

A freezer tray with a cold accumulation block and two ice trays is included below the upper drawer in the freezer compartment.

Refer to the section "Prior to Initial Start-Up" regarding the freezing of the cold accumulation block.

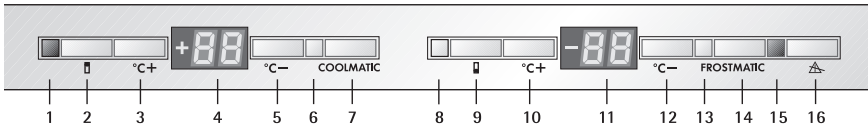


i In the event of power failure or a malfunction of the appliance, the cold accumulation block will increase the hold over period by several hours.

The block may also be used in a cool bag to keep the temperature of food down during transportation.

Berries, for example, can be pre-frozen on the freezer tray. Advantage: The berries are not squeezed and maintain their natural form. The frozen berries can then be stored in compartments or drawers packaged in individual portions.

Control Panel



- 1 ON/OFF indicator light for refrigerator (green)
- 2 ON/OFF button for refrigerator
- 3 Temperature setting button for refrigerator (for warmer temperatures)
- 4 Temperature display for refrigerator
- 5 Temperature setting button for refrigerator (for colder temperatures)
- 6 COOLMATIC indicator light (yellow)
 - COOLMATIC for intensive cooling in the refrigerator
- 7 COOLMATIC button
- 8 ON/OFF indicator light for freezer compartment (green)
- 9 ON/OFF button for freezer compartment
- 10 Temperature setting button for freezer compartment (for warmer temperatures)
- 11 Temperature display for freezer compartment
- 12 Temperature setting button for freezer compartment (for colder temperatures)
- 13 FROSTMATIC indicator light (yellow)
 - FROSTMATIC for fast freezing in the freezer compartment
- 14 FROSTMATIC button
- 15 Warning indicator light (red)
- 16 WARNING OFF button (see section: "Control and Information Systems")

Temperature setting buttons



The temperature is adjusted using the „+“ (WARMER) and „-“ (COLDER) buttons.

These buttons are connected to the temperature display.

- The temperature display is switched over from the display of the ACTUAL temperature (Temperature display is illuminated) to the display of the DESIRED temperature (Temperature display flashes) by pressing one of the two buttons, „+“ (WARMER) or „-“ (COLDER).
- Each time one of the two buttons is pressed again the DESIRED temperature is adjusted by 1 °C.
- If neither button is pressed, the temperature display automatically switches back after a short period (approx. 5 sec.) to the display of the ACTUAL temperature.

DESIRED temperature means:

The temperature that has been selected for inside the fridge or the freezer compartment. The DESIRED temperature is indicated by flashing numbers.

ACTUAL temperature means:

The temperature display indicates the current temperature inside the fridge or the freezer compartment. The ACTUAL temperature is indicated with static illuminated numbers.

Temperature Displays



The temperature displays shows several types of information.

- During normal operation, the temperature currently present in the fridge or the freezer compartment (ACTUAL temperature) is displayed.
- When the temperature is being adjusted a flashing display indicates the fridge or the freezer compartment temperature currently set (DESIRED temperature).
- If there is a fault in the appliance the temperature display shows:
 - a rectangle in the upper part of the temperature display for a fault in the fridge,
 - a rectangle in the lower part of the temperature display for a fault in the freezer.

Prior to Initial Start-Up



Before connecting the appliance to the mains and putting it into operation for the first time, leave the appliance to stand for 2 hours. This is necessary to allow the oil to flow back into the compressor.

Otherwise the compressor may be damaged.



1. Please clean the appliance interior and all accessories prior to initial start-up (see section: "Maintenance and Cleaning").
2. Remove the cold accumulation block from the freezer tray.
3. Place the cold accumulation block into a compartment or drawer only after the optimal storage temperature of $-18\text{ }^{\circ}\text{C}$ has been reached, and allow to freeze.
4. After 24 hours place the cold accumulation block in the freezer tray or in the front of the upper drawer.
5. Re-freeze the thawed cold accumulation block in the same fashion, e.g. after cleaning the appliance.

Initial Start-Up

Refrigerator and freezer compartments can be operated and controlled independently of one another.

- 👉 1. Insert plug into mains socket.

Refrigerator Start-Up

- 👉 1. Press refrigerator ON/OFF button.

The green power indicator for the fridge compartment lights up. The refrigerator temperature display shows the current, actual refrigerator temperature. A warning tone sounds and the flashing red warning light indicates that the required storage temperature has not yet been reached.

- 2. Press the WARNING OFF button to switch off the warning tone.
- 3. Set the refrigerator to the desired temperature (see section: "Temperature Adjustment").

i Goods to be refrigerated can be loaded immediately after switching on, because the storage temperature in the refrigerator is quickly reached.

Freezer Compartment Start-Up

- 👉 1. Press freezer compartment ON/OFF button.


The green power indicator for the freezer compartment lights up. The freezer compartment temperature display shows the current, actual freezer compartment temperature. A warning tone sounds and the flashing red warning light indicates that the required storage temperature has not yet been reached.

- 2. Press the WARNING OFF button to switch off the warning tone.
- 3. Set temperature to $-18\text{ }^{\circ}\text{C}$ or colder (see section: "Temperature Adjustment").

i Do not load freezer with goods until a temperature of $-18\text{ }^{\circ}\text{C}$ has been reached, or until the red warning display has gone out.


Temperature Adjustment

With the individual temperature setting buttons the desired temperatures in the refrigerator and in the freezer compartment can be adjusted independently of one another.

-  **1.** Press either the „+“ (WARMER) or „-“ (COLDER) button for the refrigerator or freezer compartment .


The temperature display switches over and the DESIRED temperature currently set flashes on the temperature display.

- 2.** To adjust to a warmer temperature, press the „+“ (WARMER) button. To adjust to a colder temperature, press the „-“ (COLDER) button. The changed setting is immediately displayed on the temperature display. Each time the button is pressed the temperature is adjusted by 1 °C.

 **Note:** From a food safety point of view, +5 °C for the refrigerator compartment and -18 °C for the freezer compartment should be considered cold enough as a storage temperature.

- 3.** When the buttons are not further pressed after an adjustment has been made, after a short period (approx. 5 sec.) the temperature display switches over and again displays the ACTUAL temperature in the refrigerator compartment. The display changes from flashing to continuous illumination.

The compressor will start and then run automatically.

 When the setting is changed, the compressor does not start immediately if automatic defrosting is currently taking place.

Important! Please check red warning display and temperature display regularly to ensure the maintenance of the storage temperature.

COOLMATIC/FROSTMATIC

COOLMATIC



The COOLMATIC function is suited for quick cooling of large quantities of goods in the refrigerator, e.g. drinks and salads for a party or wedding.

1. The COOLMATIC function is switched on by pressing the COOLMATIC button. The yellow light illuminates. The COOLMATIC function now gives intensive cooling. A DESIRED temperature of +2 °C is automatically selected. The COOLMATIC function is ended automatically after a period of 6 hours. The originally selected DESIRED temperature is again valid. The temperature display shows the ACTUAL refrigerator temperature.
2. The COOLMATIC function can be ended manually at any time by pressing the COOLMATIC button again. The yellow light goes out.


FROSTMATIC




The FROSTMATIC function provides for quick freezing of fresh food products, and at the same time protects previously stored goods against undesired warming in the freezer compartment.

1. The FROSTMATIC function is switched on by pressing the FROSTMATIC button. The yellow light illuminates.
2. The FROSTMATIC function can be ended manually at any time by pressing the FROSTMATIC button again. The yellow light goes out. If the FROSTMATIC function is not ended manually, the appliance electronics switch off the FROSTMATIC function after 52 hours. The yellow light goes out.

Switching the Appliance Off

 Refrigerator and freezer compartments can be switched off independently of one another.


-  1. To switch off, hold down both the ON/OFF buttons for approx. 5 seconds. This will result in a countdown from "3" to "1" taking place in the temperature display. On reaching "1" the fridge and freezer compartment will switch off. The temperature display will go off.

Note:

The appliance cannot be switched on or off if unplugged, or if there is no power being supplied to it.

Following connection to the mains power supply, the appliance returns to the same operating state as before the interruption of mains power.


If the appliance is not to be used for an extended period:

-  1. Switch appliance off by pressing and holding both ON/OFF buttons for about 5 seconds.
2. Remove the mains plug or switch off.
 3. Defrost freezer compartment and clean thoroughly (see section: "Maintenance and Cleaning").
 4. Leave the doors open after defrosting to avoid accumulation of odours.

Holiday Mode

In the holiday mode the temperature for the refrigerator is approximately +15 °C. In the holiday mode it is therefore possible to leave the door of the empty refrigerator closed during periods of extended absence. Advantage: Unintentional closing of the door, or accidental closing of the door by persons who have access to your home during your absence, is no longer possible. Without the holiday mode leaving the door closed would lead to the accumulation of odours and mould.

After emptying and cleaning the appliance, proceed as follows:

-  1. To set the holiday mode, press the „+“ (WARMER) or „-“ (COLDER) button.
The temperature display will change and indicate in flashing numbers the DESIRED temperature that is currently set.
2. Hold down the „+“ (WARMER) button until the temperature display indicates H (for holiday). The temperature shown in the temperature display will change in steps of 1 °C until it reaches +8 °C. After +8 °C the value +15 °C will appear in the display with the letter H. The fridge is now operating in energy-saving holiday mode.

 To switch the fridge back to normal operation, press the „-“ (COLDER) button.

Important! Do not store any goods in the refrigerator when the holiday mode is in operation. The temperature is regulated at about +15 °C when the holiday mode is in operation. This is too warm for food products.

Control and Information Systems

The control and information systems consist of a temperature display, an optical warning display and an acoustic warning.

The system warns if:

- the appliance door is open
- the temperature in the refrigerator or freezer compartment is too high;
- there are functional faults with the appliance.

"Open Door"-Warning

If the fridge or freezer door is left open the red warning display will flash and an acoustic warning tone will sound

- after approx. 80 seconds if the freezer door is left open
- after approx. 5 minutes if the fridge door is left open

If you need more time to load or rearrange refrigerated or frozen foods, you can switch off the warning tone by pressing the WARNING OFF button.

If the doors are still left open the warning tone will sound again at the end of the appropriate period of time.


If the doors remain open for longer than 80 minutes the warning tone will switch itself off automatically.

The red warning display will go off when the doors are closed.

Temperature Warning

For the fridge:

The red warning display flashes and a warning tone sounds as soon as the temperature in the fridge rises to more than +10 °C.


 1. You can switch off the warning tone using the WARNING OFF button.




The warning display and warning tone switch themselves off automatically when the temperature in the fridge drops to below +11 °C. Besides this, the warning tone switches itself off automatically after 80 minutes have passed.

For the freezer:

The red warning display flashes and a warning tone sounds as soon as the temperature in the freezer rises to more than $-12\text{ }^{\circ}\text{C}$. In addition the freezer temperature display flashes.

-  1. You can switch off the warning tone using the WARNING OFF button. The freezer temperature display stops flashing and displays the warmest temperature that has been reached in the freezer during the temperature alarm. After approx. 5 seconds the temperature display reverts to the current freezer temperature.

-  The warning tone switches itself off automatically
- if the temperature in the freezer falls to lower than $-11\text{ }^{\circ}\text{C}$. The red warning display and the temperature display continue to flash.
 - after 80 minutes have passed. The red warning display and the temperature display continue to flash.

If the possibility of partial or complete thawing exists, you should check the quality of the foods.

Function Errors

If the electronics in the appliance detects a technical defect that has to be rectified by the customer, the temperature display indicates:

- a rectangle in the upper part of the temperature display for a fault in the fridge,
- a rectangle in the lower part of the temperature display for a fault in the freezer.

Opening the Freezer Compartment Door

If the freezer compartment door is closed when the appliance is in operation, it is possible that it cannot be immediately opened again. A vacuum occurs in the freezer compartment which holds the door closed until pressure has been equalised. The door can be opened again after several minutes.

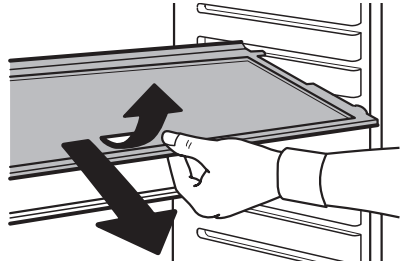
Interior Accessories

Storage Shelves

A storage shelf must be inserted into the lower guide track above the fruit and vegetable drawers. It must always remain in this position, so that fruits and vegetables remain fresh longer.

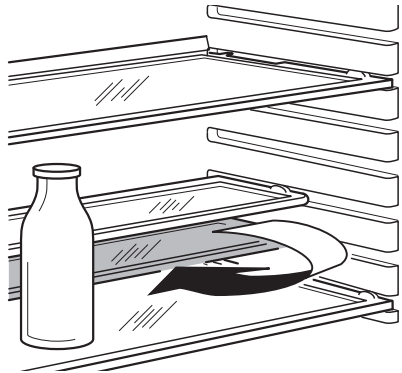
The remaining storage shelves can be adjusted to various heights:

1. Pull the storage shelf forward until it can be tipped up or down and removed.
2. To insert at a different height use the same procedure in reverse.



Adjustment for tall items:

1. Remove the front half of the two-part vario glass storage shelf and insert it at a different level. Space is then gained for storage of tall items on the storage shelf below.

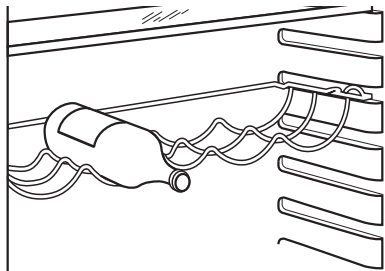


Bottle rack

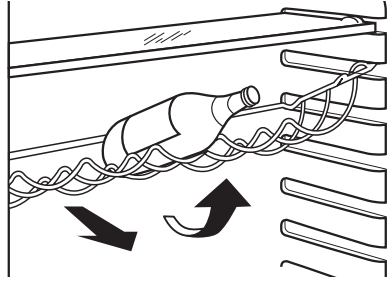
Place bottles in the rack with the bottleneck to the front.

Important: Only store unopened bottles horizontally.

The bottle rack can be tilted for storing opened bottles.



1. To do this pull the bottle rack forward until it can be tilted upwards, then slide the front support into the next level up.



Variable Inner Door

The door compartments can be pulled up and removed, and inserted at other positions as needed.

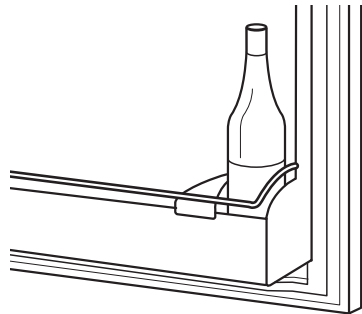
Drawers and Compartments

Vario drawer-set

The two large fruit and vegetable drawers can be divided with an adjustable partition (not included with all models).

Bottle Holder


Some models are equipped with a bottle holder in the bottle compartment. This is used to prevent individual bottles from falling over and can be slid sideways.



Correct storage

For physical reasons, the refrigerator compartment has different temperature zones. The coldest zone is on the lowest storage shelf immediately above the fruit and vegetable drawers. Warmer zones are the upper storage shelves and door racks. The arrangement (see fig.) indicates where different types of food are best stored to make the most of temperature variations.

For instance, the shelf immediately above the fruit and vegetable drawers should be 5 °C for safe storage of meat and fish products. In order to check that the appliance is at 5 °C on the lowest shelf you can carry out the following test yourself:

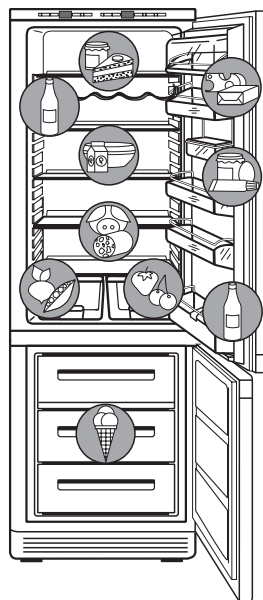
-  1. Place a cup of water in the centre of the said shelf with a thermometer inside.
2. Leave the fridge door closed overnight and check the temperature first thing in the morning.
3. At this point the temperature should read no more than 5 °C; if it does, you need to adjust the temperature regulator to a colder setting.

For further information on keeping food cool and safe a guide published by the Ministry of Agriculture, Fisheries and Food is available and can be obtained free of charge by contacting:

Foodsense, London SE99 7TT. Tel: 0645 556000

Tip: Food stored in the refrigerator compartment should always be covered or packed so that they do not dry out, lose their flavour, or transfer their flavour to any other refrigerated food. The following are suitable for packing:

- polyethylene bags;
- plastic containers with lids;
- special plastic covers with rubber retainers;
- aluminium foil.





Freezing

Except for the bottom drawer, which serves only for storage purposes, all compartments and drawers in the freezer compartment are suitable for freezing fresh food.

Warning!

- Before foods are frozen, the actual temperature in the freezer compartment must be $-18\text{ }^{\circ}\text{C}$ or colder.
- Please observe indicated freezing capacity on the rating plate. The freezing capacity represents the maximum amount of fresh goods that can be frozen within 24 hours. If you freeze goods on several days, one after the other, freeze amounts equal to 2/3 to 3/4 of the capacity indicated on the rating plate.
- When freezing large quantities of food, place the frozen „cold accumulation blocks“ at the front into the top compartment in the freezing chamber.
- Thawed foods which have not been processed further (cooked into meals) may not under any circumstances be frozen a second time.


 1. For freezing the maximum capacity press the FROSTMATIC button 24 hours prior to freezing, or 4 to 6 hours for smaller quantities. Yellow indicator lights up.

 The FROSTMATIC button need not be pressed for freezing of small quantities of up to 3 kg.

2. All foods must be packed air tight prior to freezing, so that they do not dry out or lose their flavour, and so that no flavour contamination of other frozen goods occurs.

Caution! Do not touch frozen goods with wet hands. Hands can freeze to the goods.

3. Place packaged goods in the drawers. Unfrozen goods may not come into contact with already frozen goods, otherwise the frozen goods may start to thaw.

 The appliance electronics automatically switch the FROSTMATIC function off after a period of 52 hours. Yellow indicator light goes out. You can also stop the FROSTMATIC function manually by pressing the FROSTMATIC button again.

Tips:

- The following are suited for the packaging of frozen goods:
 - freezer bags and polyethylene wraps;
 - plastic containers for frozen foods;
 - extra-thick aluminium foil
- The following are suited for sealing bags and wraps:
plastic clips, rubber bands or adhesive tape.
- Press air out of bags and wraps before sealing, because air encourages drying of frozen goods.
- Make flat packages, because these freeze more quickly.
- Do not fill plastic containers for frozen foods to the brim with liquid or paste-like goods, because liquids expand during freezing.

Frozen Storage

Warning! Before initial loading of the freezer compartment with previously frozen goods, the required storage temperature of $-18\text{ }^{\circ}\text{C}$ must be reached.

- Load freezer only with packaged frozen goods, so that they do not dry out or lose their flavour, and so that no flavour contamination of other frozen goods can occur.
- Please observe maximum storage times and expiry dates of frozen goods.



When possible store frozen goods separately according to type in drawers.

Preparation of Ice Cubes

1. Fill ice cube tray 3/4 full with cold water and place in the freezer tray or a drawer and allow to freeze.
2. To remove the finished ice cubes twist the ice cube tray or hold under running water for a short time.

Warning! Do not, under any circumstances, free an ice tray which is frozen to the appliance with pointed or sharp edged objects. Use a spoon-handle or similar object.

Defrosting

The refrigerator is defrosted automatically

The electronics start the defrosting cycle in the refrigerator as needed based on economical energy use and the maintenance of a constant temperature. Defrosting cycles are started more or less often, depending on the degree of moisture accumulation. Because the greatest accumulation of moisture occurs when the door is open, the frequency of defrosting cycles is determined by frequency and duration of door opening.

The water collects in the discharge trough at the back wall of the refrigerator, and is fed through the discharge opening in the catch tray at the compressor where it is evaporated.

Freezer Compartment Defrosting

Moisture is precipitated in the form of white frost in the freezer compartment during operation and when the door is opened, especially in the middle at the top. Remove this white frost from time to time with a soft plastic scraper, e.g. a dough scraper. Do not under any circumstances use hard or pointed objects for this purpose.

The appliance should be defrosted when the thickness of the white frost has reached about 4 mm; but at least once a year in any case. A convenient time for defrosting is any time when the appliance is empty, or only minimally loaded.



Warning!

- Do not use electrical heating appliances or any other mechanical or artificial devices to speed up the defrosting process, with the exception of those recommended in these operating instructions.
- Do not use defrosting sprays, because they may be health endangering and/or contain substances damaging to plastics.

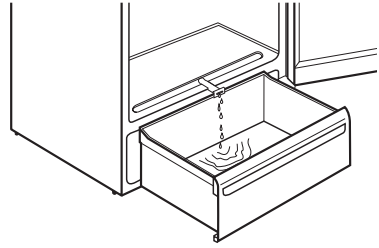


1. About 12 hours prior to defrosting push the FROSTMATIC button, in order to build up sufficient chill reserve for the interruption in operation.

Caution! Do not touch frozen goods with wet hands. Hands can freeze to the goods.

2. Remove frozen goods, pack them in several layers of newspaper, cover them and store them in a cool place.

3. Switch off refrigerator and freezer and remove plug from the mains, or disconnect from the electricity supply.
4. Remove all the drawers. Remove the plinth (see "Reversing the Door" section). Place the bottom drawer directly in front of the appliance to collect the water from defrosting and pull out the water drain spout.



Tip: In order to speed up the defrosting process, place a pot of hot water in the freezer compartment. In addition, remove pieces of ice that break away before defrosting is complete.

5. After defrosting thoroughly clean the freezer interior, as well as interior accessories (see section: "Maintenance and Cleaning").

Hints and Tips

Normal Operating Sounds

- You may hear faint gurgling or bubbling sounds when the refrigerant is pumped through the coils or tubing at the rear, to the cooling plate/evaporator.
- When the compressor is on, the refrigerant is being pumped round and you will hear a whirring sound or pulsating noise from the compressor.
- A thermostat controls the compressor and you will hear a faint click when the thermostat cuts in and out.

Food Storage

To obtain the best performance from your refrigerator/freezer:

- Do not store warm food or evaporating liquids.
- Do not store food uncovered.
- Keep the time between buying chilled food and placing it in your freezer as short as possible.
- Do not push food together too much, try to allow air to circulate around each item.




Energy Saving Advice

- Do not install the appliance close to sources of heat, such as a cooker, dishwasher or radiator.
- Locate the appliance in a cool well ventilated room and make sure that the air openings of the appliance are not obstructed.
- Always leave warm food to cool down to room temperature before placing in the freezer.
- Try to avoid keeping the door open for long periods or opening the door too frequently as warm air will enter the cabinet and cause the compressor to switch on unnecessarily often.
- Ensure there are no obstructions preventing the door from closing properly.

Maintenance and Cleaning

Before any maintenance or cleaning work is carried out **DISCONNECT** the appliance from the **ELECTRICITY** supply.

Internal Cleaning

 If only the refrigerator is to be cleaned, press the FROSTMATIC button several hours in advance, in order to build up sufficient chill reserve in the freezer compartment for the interruption in service. Do not open the freezer compartment door.

 1. About 12 hours prior to defrosting push the FROSTMATIC button, in order to build up sufficient chill reserve for the interruption in operation.

Caution! Do not touch frozen goods with wet hands. Hands can freeze to the goods.

2. Remove frozen goods, pack them in several layers of newspaper, cover them and store them in a cool place.
3. Defrost the freezer compartment (see section: "Defrosting").
4. Switch off refrigerator and freezer and remove plug from the mains, or disconnect from the electricity supply.
5. Clean the inside and accessories with warm water and bicarbonate of soda (5 ml to 0.5 litre of water). Rinse and dry thoroughly.



Warning!

Do not use detergents, abrasive powders, highly perfumed cleaning products, wax polishes or cleaning products containing bleach or alcohol.

6. Regularly check the door seals and wipe clean to ensure they are clean and free from debris.
7. Regularly unblock the condensation water drainage hole in the rear wall of the refrigeration chamber with the aid of a piece of wire.

External Cleaning



Warning!

- Do not use abrasive products
- There are sharp edges on the underside of the product so care should be taken when cleaning.



1. Use a normal household stainless steel cleaner to clean the stainless steel surface.

This cleaner simultaneously forms a protective film against finger marks.



Caution: Do not allow the stainless steel cleaner to come into contact with plastic parts, e.g. the end caps on the doors, as it will damage them.



Accumulation of dust at the condenser increases energy consumption. For this reason carefully clean the condenser at the back of the appliance once a year with a soft brush or a vacuum cleaner.

Replace light bulb



For safety reasons the interior lighting switches off after 20 minutes when the door is open. It switches on again the next time the door is opened.



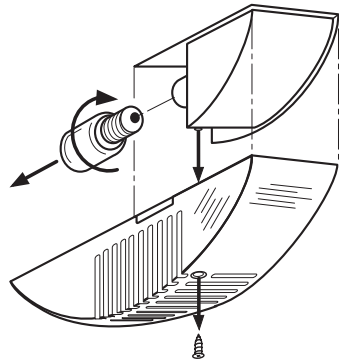
Warning! Danger of electrical shock! Before replacing the light bulb switch off the appliance and remove the mains plug.

Light bulb specifications: 220-240 V, max. 25 W, fitting: E 14



1. To switch the appliance off press and hold both ON/OFF buttons for about 5 seconds.

2. Unplug the mains plug.
3. To change the light bulb, undo the cross head screw and remove the light bulb cover downwards.
4. Change the defective light bulb.
5. Refit the light bulb cover and the cross head screw.



Something not Working

Before contacting your local service force centre, check the following points.

Symptom	Solution
No power to the appliance.	Check there is power at the socket
	Check there is not a power cut by checking the household lights.
	Check the fuse has not blown.
The temperature in the refrigerator/ freezer is too high.	Check the ambient temperature is within the appliances operating limits
	Check the temperature is correctly set relative to ambient conditions.
Temperature display shows a rectangle.	There is a function fault. Please inform your local Service Force Centre. Do not open the door of the appliance again.
Warning tone sounds, red warning display and freezer temperature display are flashing.	Temperature warning for freezer. Please check in "Control and Information System" section.
Interior illumination does not function. Important: The interior lighting switches off automatically after 20 minutes.	Please refer to "Replace Light Bulb " section.
The compressor runs continuously	Adjust the temperature using the „+“ and „-“ buttons to obtain correct temperature control.
	Check that the door is closed.
	Large quantities of food have recently been placed in the cabinet and/or door is frequently opened.
	Check that air ventilation is not obstructed.
Water on the floor or on storage shelves.	Water drain hole is blocked. See the "Cleaning and Maintenance" section.

Symptom	Solution
Excessive build up of frost.	If the door seal is not airtight (probably after reversing the door) apply warm air to the non sealing area using a hair dryer set to a gentle heat. (do not use a fan heater for this purpose). This will make the rubber more supple and allow it to revert to its original shape.
Noise	Refer to Normal Operating Sounds
The compressor does not start immediately after changing the temperature setting.	This is normal, the compressor starts after a period of time.

If after the above checks there is still a fault, call your local AEG Service Force Centre.

In-guarantee customers should ensure that the above checks have been made as the engineer will make a charge if the fault is not a mechanical or electrical breakdown.

Please note that proof of purchase is required for in-guarantee service calls.

Technical Terminology

- **Refrigerant**

Liquids that can be used to generate a cooling effect are known as refrigerants. They have a relatively low boiling-point, indeed so low, that the warmth from the food stored in the fridge or freezer can cause the refrigerant to boil and vaporise.

- **Refrigerant Circuit**

Closed circulation system that contains the refrigerant. The refrigerant circuit comprises primarily of an evaporator, a compressor, a condenser and pipe work.

- **Evaporator**

The refrigerant is evaporated in the evaporator. Similar to all other liquids, refrigerant requires heat to evaporate. This heat is removed from the interior of the appliance, as a result the interior is cooled. The evaporator is therefore located inside the appliance or placed in foam immediately behind the inner wall and thus not visible.

- **Compressor**

The compressor looks like a small drum. It is driven by a built-in electric motor and is mounted on the base of the appliance at the rear. The task of the compressor is to draw in vaporised refrigerant from the evaporator, to compress it, and to pass it on to the condenser.

- **Condenser**

The condenser normally has the form of a grid. The refrigerant compressed in the compressor is liquefied in the condenser. During this process, heat is released to the surrounding air at the surface of the condenser. The condenser is mounted on the base of the appliance.

Regulations, Standards, Guidelines

This appliance was designed for household use and was manufactured in accordance with the appropriate standards. The necessary measures in accordance with appliance safety legislation regulations (GSG), accident prevention regulations for refrigeration appliances (VBG 20) and the regulations of the German Society of Electrical Engineers (VDE) were observed in the manufacture of this appliance. The refrigerant circuit has been checked for leaks.

- CE** This appliance is in accordance with the following EU guidelines:
- 73/23/EEG dated 19 February 1973 - low voltage guidelines.
 - 89/336/EEG dated 3 May 1989
(including guideline change notice 92/31/EEG) - EMV guideline

Guarantee Conditions

AEG offer the following guarantee to the first purchaser of this appliance.

1. The guarantee is valid for 12 months commencing when the appliance is handed over to the first retail purchaser, which must be verified by purchase invoice or similar documentation.

The guarantee does not cover commercial use.

2. The guarantee covers all parts or components which fail due to faulty workmanship or faulty materials. The guarantee does not cover appliances where defects or poor performance are due to misuse, accidental damage, neglect, faulty installation, unauthorised modification or attempted repair, commercial use or failure to observe requirements and recommendations set out in the instruction book.

This guarantee does not cover such parts as light bulbs, removable parts of glass or plastic.

3. Should guarantee repairs be necessary the purchaser must inform the nearest customer service office (manufacturer's service or authorised agent). AEG reserves the right to stipulate the place of the repair (i. e. the customer's home, place of installation or AEG workshop).

4. The guarantee or free replacement includes both labour and materials.

5. Repairs carried out under guarantee do not extend the guarantee period for the appliance. Parts removed during guarantee repairs become the property of AEG.

6. The purchaser's statutory rights are not affected by this guarantee.

European Guarantee

If you should move to another country within Europe then your guarantee moves with you to your new home subject to the following qualifications:

- The guarantee starts from the date you first purchased your product.
- The guarantee is for the same period and to the same extent for labour and parts as exist in the new country of use for this brand or range of products.
- This guarantee relates to you and cannot be transferred to another user.
- Your new home is within the European Community (EC) or European Free Trade Area.
- The product is installed and used in accordance with our instructions and is only used domestically, i. e. a normal household.
- The product is installed taking into account regulations in your new country.

Before you move please contact your nearest Customer Care Centre, listed below, to give them details of your new home. They will then ensure that the local Service Organisation is aware of your move and able to look after you and your appliances.

France	Senlis	+33 (0) 44 62 29 29
Germany	Nürnberg	+49 (0) 911 323 2600
Italy	Pordenone	+39 (0) 1678 47053
Sweden	Stockholm	+46 (0) 8 738 7910
UK	Slough	+44 (0) 1753 219899

Service & Spare Parts

If after carrying out the necessary checks there is still a fault with your appliance please contact your local AEG Service Force Centre.

In guarantee customers should ensure that the suggested checks have been made as the engineer will make a charge if the fault is not a mechanical or electrical breakdown.

Please note that proof of purchase is required for in-guarantee service calls.

Service & Spare Parts

If you require a service engineer or wish to purchase spare parts, contact your local AEG Service Force Centre, by telephoning

08705 929 929

Help us to help you

Please determine your type of enquiry before writing or telephoning.

When you contact us we need to know,

- 1 Your name, address and post code
- 2 Your telephone number
- 3 Clear and concise details of the fault
- 4 Date of purchase
- 5

• Model Name



• Model Number (PNC)



• Serial Number (S-No.)



This information can be found on the rating plate in the interior of the appliance at the left.

Customer Care

For general enquiries concerning your AEG appliance, or for further information on AEG products, you are invited to contact our Customer Care Department by letter or telephone or visit our website at www.aeghome.co.uk

AEG Domestic Appliances

55-77 High Street

Slough

Berkshire SL 1 1DZ

Tel: 08705 350350 *

* calls to this number may be recorded for training purposes.

AEG Hausgeräte GmbH
Postfach 1036
D-90327 Nürnberg

<http://www.aeg.hausgeraete.de>

© Copyright by AEG

818 1812 – 01/0 - 0801